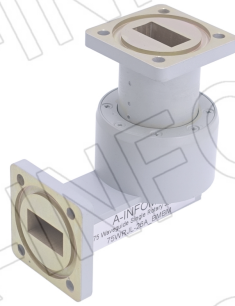


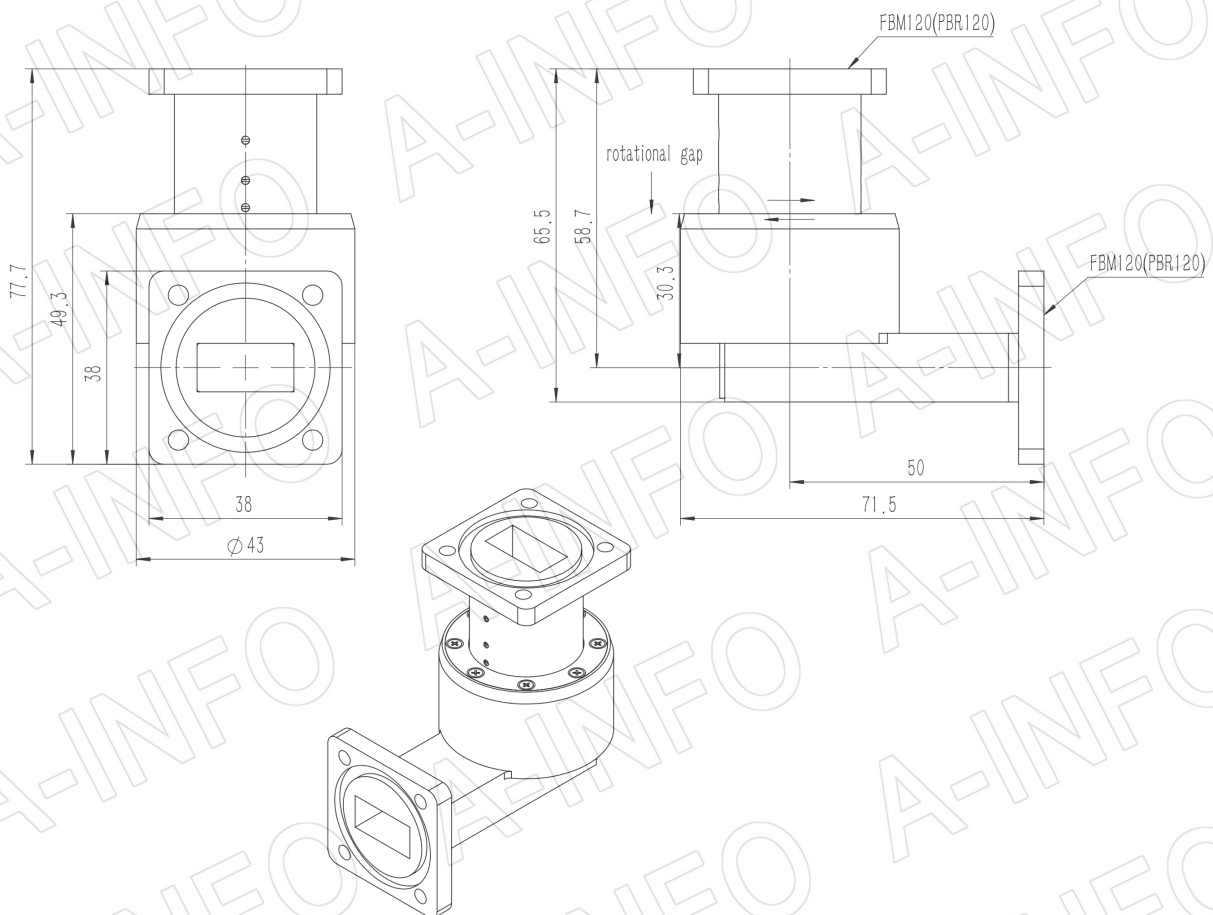
For reference only. See data sheet for the detailed specifications.

Technical Specification

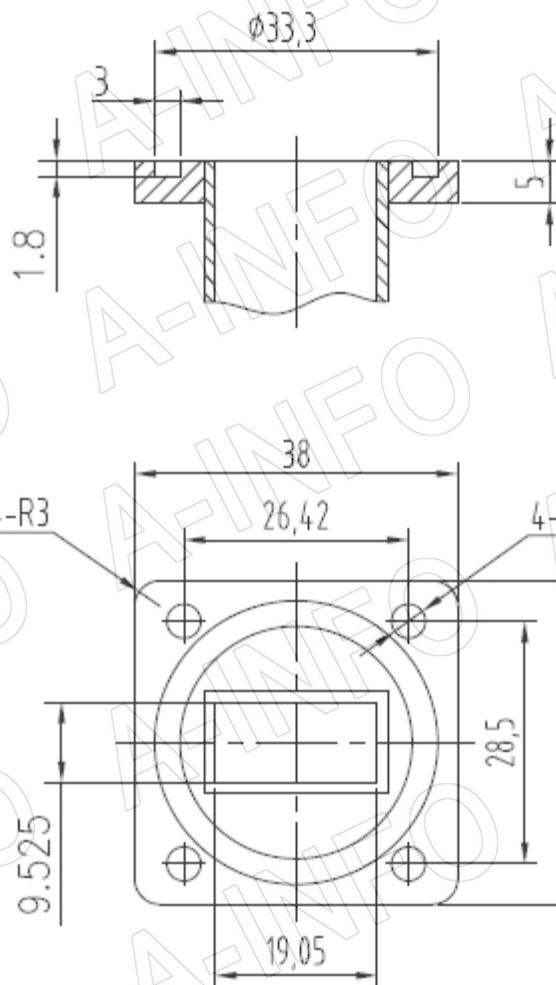


Waveguide	WR75
Frequency Range(GHz)	14.0-14.5
VSWR	1.25 Max.
Insertion Loss(dB)	0.15 Max.
Average Power(W)	100
Peak Power(KW)	4
Flange	FBM120
Material	Al
Net Weight(Kg)	0.2 Around

Outline Drawing (Size: mm)



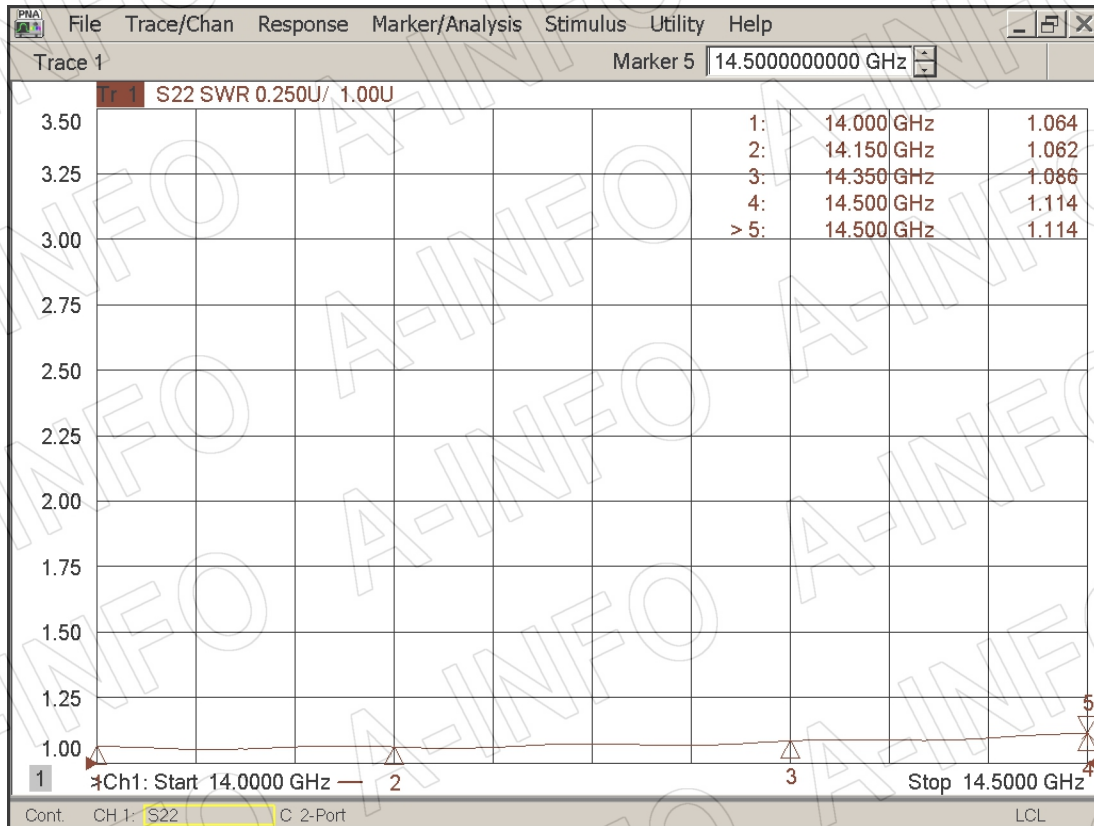
Flange Drawing (Size: mm)



FBM120

Test Results

VSWR



I.L.

